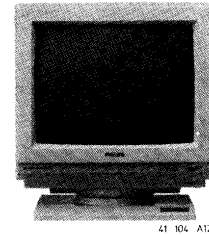


Service
Service
Service

00G/00S/05G/05S/16G



Service Manual

(GB)

- Mains voltage
- Power consumption at 230 Vac
- EHT
- Loudspeaker impedance
- LF output power
- Input spec's
- CVBS
- RGB-Linear (scart)
 - Comp. Sync.
- RGB-TTL
 - Low
 - High
 - H + V-Sync.
 - Comp. Sync.
- Audio (L), (R)
- Character display
- Bandwidth
- Picture tube

(NL)

- Bedrijfsspanning
- Verbruik bij 230 V ~
- Hoogspanning
- Luidspreker impedantie
- LF uitgangsvermogen
- Ingangsspecificaties
- CVBS
- RGB-lineair (scart)
 - Comp. sync.
- RGB-TTL
 - Laag
 - Hoog
 - H + V-sync.
 - Comp. sync.
- Audio (L), (R)
- Karakter uitlezing
- Bandbreedte
- Beeldbuis

(F)

- Tension de travail
- Consommation à 230 V ~
- Haute tension
- Impédance H.P.
- Puissance de sortie BF
- Données d'entrée
- CVBS
- (Scart) RVB linéaire
 - Sync. comp.
- RVB-TTL
 - Bas
 - Haut
 - Sync. H+V
 - Sync. compos.
- Audio (L), (R)
- Affichage caractère
- Largeur de bande
- Tube image

230 V ~ ± 15%-50 Hz
75 W
25 kV
16 Ω
2 x 1 W

1 Vtt ± 0.5 Vtt
0.7 V-75 Ω
0.3 V-5 V
TTL-Level
0 V-0.8 V
2.4 V-5 V

177 mV-10 kΩ
80 x 25
≥12 MHz
M34EAQ10X

(D)

- Betriebsspannung
- Verbrauch bei 230 V ~
- Hochspannung
- Lautsprecherimpedanz
- NF-Ausgangsleistung
- Eingangsspezifikationen
- FBAS
- RGB-lineare (Scart)
 - Comp. sync.
- RGB-TTL
 - Tief
 - Hoch
 - Hor.-+Vert.-Synchr.
 - Comp. sync.
- Audio (L), (R)
- Zeichenauslesung
- Bandbreite
- Bildröhre

(I)

- Tensione di funz.
- Consumo a 230 V ~
- Alta tensione
- Impedenza altoparl.
- Potenza uscita BF
- Dati ingresso
- CVBS
- Scart RVB-lineare
 - Sinc. compos.
- RVB-TTL
 - Basso
 - Alto
 - Sinc. O+V
 - Sinc. compos.
- Audio (L), (R)
- Display carattere
- Larghezza di banda
- Cinescopio

230 V ~ ± 15%-50 Hz
75 W
25 kV
16 Ω
2 x 1 W

1 Vtt ± 0.5 Vtt
0.7 V-75 Ω
0.3 V-5 V
TTL-Level
0 V-0.8 V
2.4 V-5 V

177 mV-10 kΩ
80 x 25
≥12 MHz
M34EAQ10X

DocumentationTechnique Service Dokumentation Documentazione di Servizio Huolto-Ohje Manual de Servicio Manual de Servicio

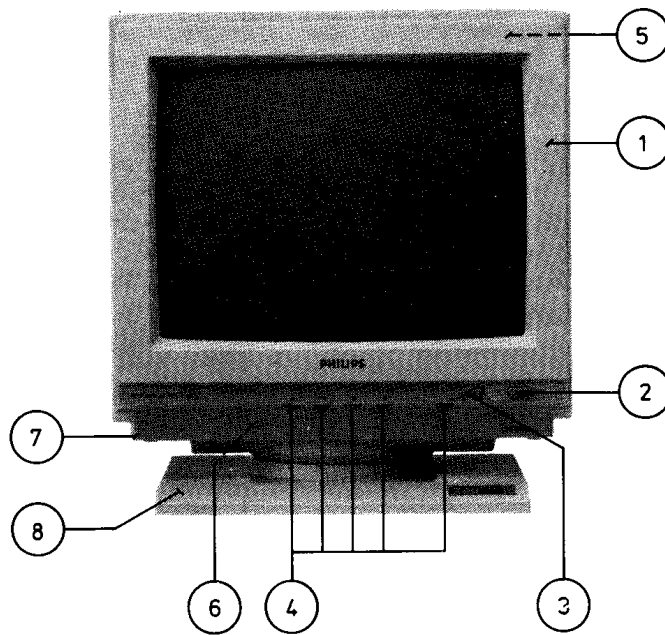


*Pour votre sécurité, ces documents
doivent être utilisés par des spécia-
listes agréés, seuls habilités à réparer
votre appareil en panne.

Subject to modification
4822 727 15714

Printed in The Netherlands
© Copyright reserved

PHILIPS Published by Service
Consumer Electronics



41 103 A12

1	4822 430 70433	Cabinet - /00G/05G/16G
1	4822 430 70443	Cabinet - /00S/05S
2	4822 410 25285	Power push button - /00G/05G/16G
2	4822 410 25442	Power push button - /00S/05S
3	4822 413 31421	Push button green switch (SK4) and input switch (SK2) -/00G/05G/16G
3	4822 410 25458	Push button green switch (SK4) and input switch (SK2) -00S/05S
4	4822 413 31407	Knobs for vol/col/cont/brith/hor. centr -/00G/05G/16G
4	4822 413 31425	Knobs for vol/col/cont/brith/hor. centr -/00S/05S
5	4822 432 92046	Rear cover -/00G/05G
5	4822 438 10218	Rear cover -/00S/05S
5	4822 438 10219	Rear cover -/16G
6	4822 462 10269	Foot -/00G/05G/16G
6	4822 462 10276	Foot -/00S/05S
7	4822 462 40831	Pad (4x)
8	AV7202/00G	Rotary table with clock
8	AV7202/00R	Rotary table with clock
	4822 535 91695	Adjust rod (3x)
	4822 410 24178	Knobs for VCR switch (SK5) and RGB status switch (SK3)

GB CAUTION

- 1) Safety requirements stipulate that, during repair, the set should be restored in its original state and that parts, identical to the specified ones, should be applied.
- 2) For safety reasons, the parts provided with the sign **▲** should be replaced by identical parts (for code numbers see electrical parts lists).
- 3) To avoid damages to ICs and transistors, flash-over of the high-tension should be avoided.
- 4) Be careful when performing measurements in the high-tension section and on the picture tube.
- 5) Never change parts when the set is still switched on.
- 6) Safety goggles must be worn during replacement of the picture tube.

REMARKS

- 1) The direct voltages indicated in the circuit diagram are average voltages. They have been measured under the following conditions:
Volume, contrast, colour saturation and brightness to minimum.
- 2) The oscillograms have been measured under the following conditions:
Signal from a pattern generator (PM5515) on colour bar pattern (bar) with 1 V video amplitude and 50% chroma amplitude.
Adjust brightness, contrast and colour saturation until the oscillogram shown in Fig. ① appears on the collector of TS713.
Volume to minimum.

MECHANICAL INSTRUCTIONS

Removing the chassis

Remove the rear cover.
The chassis can now be slid out.

Removing the supply panel

Undo the screw on the side of the panel and unlock the supply PCB from the holder.
After repair, the connecting cables of the chassis and the supply panel must be fixed again in the original way.

ADJUSTMENTS AFTER REPAIR

1) +125 V supply voltage

Connect the voltmeter (DC position) between C494 and ground.
Adjust R114 until the voltmeter indicates 125 V.

2) Synchronisation

Apply a cross-hatch pattern and short C434.

Horizontal synchronisation

Now adjust R437 until the picture is straight.
Then remove the short-circuit.

Vertical synchronisation

Adjust R331 until the picture is straight.
Then remove the short-circuit.

3) Adjusting the picture geometry

Apply a cross-hatch pattern and put brightness and contrast in the mechanical mid-position.

Horizontal amplitude

Adjust R485 until 14 blocks correspond with a width of 26 cm.
The horizontal centring can be adjusted with R450.

Vertical amplitude

Adjust R353 until 10 blocks correspond with a height of 18.5 cm.

The vertical centring can be adjusted with R364.

4) VG2 adjustment and cut-off points in picture tube

- Set brightness to $\frac{1}{4}$ of its range and adjust contrast for minimum value.
- Set potentiometers R605-R606-R704-R705 and R706 to mechanical mid-position.
- Adjust R727 for minimum value.
- Set the signal generator to position "pur" and enter the colours red - green - blue, respectively.
- Using potentiometers R704-R705 and R706 with the corresponding colour pattern, adjust the voltage on the collectors of TS711 - TS712 and TS713 for 110 V.
- Apply a white frame and adjust R727 until **one** colour becomes visible.
- Set the pattern generator to purity with the colour that was first visible.
- Readjust R727 to just visible light.
- Adjust the 2 remaining colours with their corresponding purity colour for the same light output using potentiometers R704, R705 or R706.
- Now return the signal generator to white frame and adjust potentiometers R704, R705 and R706 until an optimum background colour is formed.
- Using potentiometers R605 and R606 (with white frame), adjust the background colour such that at minimum brightness and maximum brightness the background colour is the same.

5) Chrominance adjustments

The 4.43 MHz blanking circuit in the luminance circuit

Use a colour bar pattern and adjust the monitor normally. Connect an oscilloscope to pin 15 of IC502 and adjust S533 for minimum amplitude of the chrominance signal that is present on the various brightness steps of the luminance signal.

The subcarrier oscillator

Use a colour bar pattern and adjust the monitor normally. Connect point 11-IC501 to ground via a resistor of 470 Ω . Adjust C567 until the colour on the screen has practically come to a halt.
Remove the short-circuit.

The PAL delay line

Apply a generator signal.
Set the generator to position "DEM".
Adjust brightness and contrast for normal values and the saturation control to $\frac{3}{4}$ of its range.
Adjust R569 until the venetian blinds effect in the 3rd bar disappears.
Then adjust S560 until the venetian blinds effect in the 1st and 4th bar disappears.
Re-adjust R569.
Apply a colour bar pattern.
Adjust S569 until the venetian blinds effect in the 3rd and 5th bar disappears.

6) Focus adjustment

Adjust R732 for optimum focus.



ADJUSTING THE PICTURE

Remark:

The colour purity and convergence adjustments described hereafter need only be carried out if a completely new adjustment is called for or if a new picture tube has been fitted. Otherwise, for instance after replacing the deflection unit, it will not be necessary to remove the rubber wedges (G in Fig. 3). Corrections by means of the multi-pole unit will then suffice.

I. Colour purity, see Fig. 3

1. Loosen fixing screw "F" of the deflection unit a few turns.
2. Move the deflection unit and remove the three rubber wedges "G".
3. Slide the deflection unit forward as far as possible against the glass of the picture tube cone and turn on fixing screw "F" in such a manner that the deflection unit can be moved with some friction.
4. Place the multi-pole unit in the position drawn, turn on screw "A" and turn securing ring "B" anti-clockwise.
5. Let the apparatus face East or West and switch-on the set.
Supply a cross-hatch pattern and set brightness control to maximum. Allow for a warming-up time of 10 minutes.
6. Adjust the static convergence, using tags "C" and "D" (if necessary, see point II).
7. Turn R364 for the vertical centring to its mid-position. Switch-off the green and the blue gun by loosening the resistors R723 and R724.
8. By turning the colour purity rings with tags "E", the vertical red bar is adjusted nearest to the centre of the screen, whilst also the central horizontal line should be as straight as possible.
9. Supply a white pattern signal and check that the red bar is in the centre of the screen indeed. If not, switch-on the cross-hatch pattern again and move the red bar in the right direction, taking care that the picture does not move too much in vertical direction.
10. Supply the white pattern signal and move the deflection unit until the whole picture surface is uniformly red.
11. Switch-on the green and the blue gun. No colour patches may occur in the white picture now obtained. In the affirmative, a minor correction can be made by slightly turning the colour purity rings "E" and/or slightly moving the deflection unit.
12. Turn on screw "F" tightly.
13. Adjust the vertical centring with R364.
14. Proceed to the static and next the dynamic convergence adjustment.

II. Static convergence, see Fig. 3

1. Supply a cross-hatch pattern and allow for a warming-up time of 10 minutes.

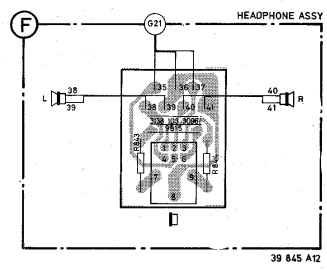
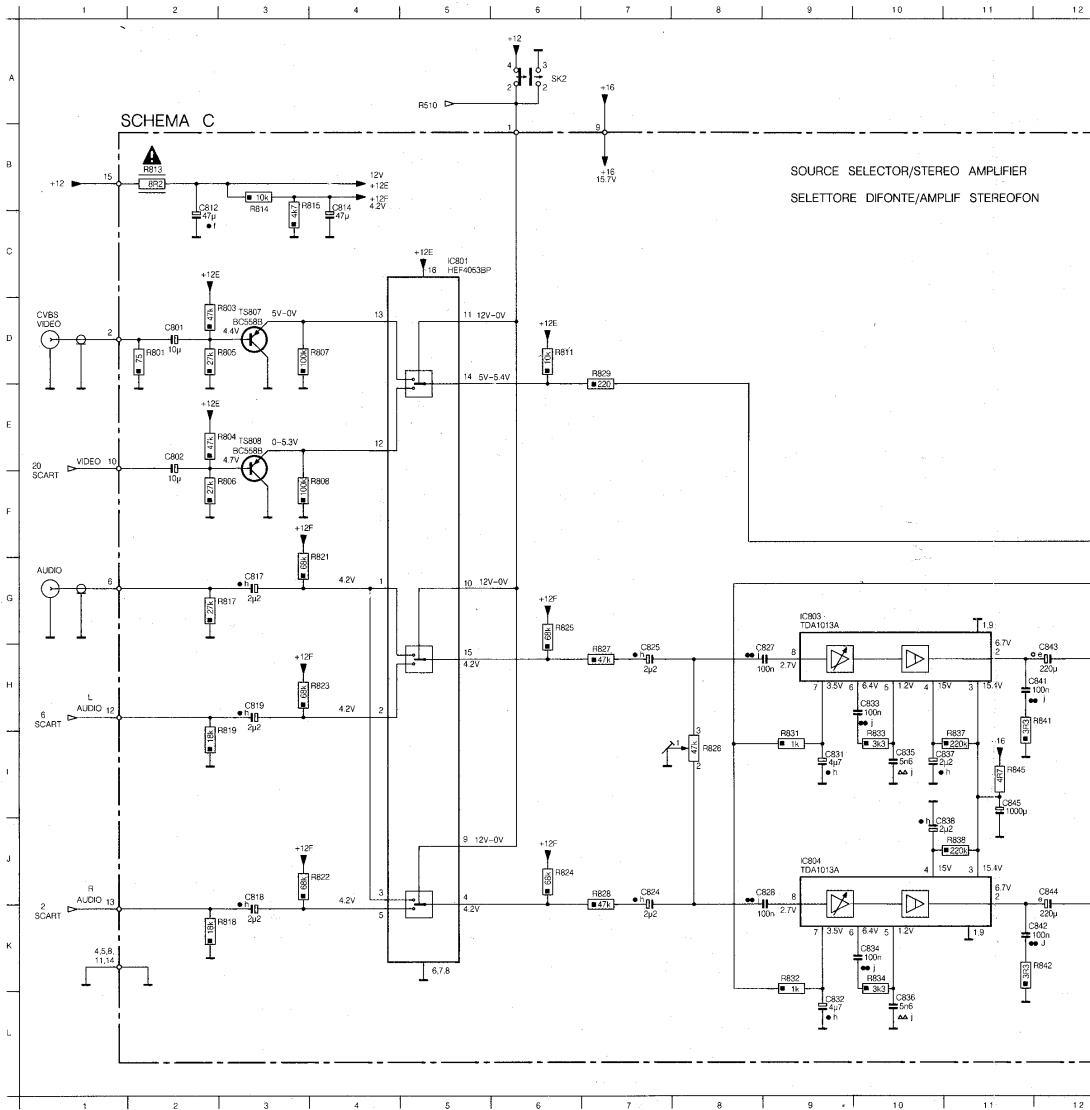
2. Switch-off the green gun by loosening resistor R723 and turn locking ring "B" anti-clockwise.
3. By turning the four-pole rings with tags "C", the red and blue cross-hatch patterns in the centre of the screen are placed on top of each other.
4. Switch-on the green gun with R723 and switch-off the blue gun by loosening resistor R724.
5. By turning the six-pole rings with tags "D" the red and green cross-hatch patterns in the centre of the screen are placed on top of each other.
6. Switch-on the blue gun again and tighten ring "B" again.

III. Dynamic convergence

Remark:

The dynamic convergence is achieved by vertical and horizontal tilting of the deflection unit. To secure the right position of the deflection unit, three rubber wedges are fitted between the glass of the picture tube cone and the deflection unit, as shown in Figs. 4d or 5d. Two wedge thicknesses are available, one 7 mm thick, code 4822 462 40356, the other 11 mm thick, code 4822 462 40357.

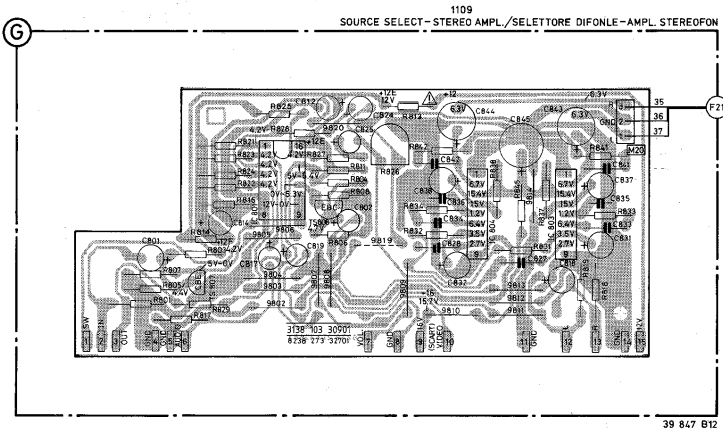
1. First check the colour purity and the static convergence.
2. Supply a cross-hatch pattern and switch-off the green gun by loosening resistor R723.
3. Eliminate the crossing of the central horizontal blue and red line and the crossing of the central vertical blue and red line, by vertical tilting of the deflection unit. If the position of the deflection unit is correct, then place rubber wedge ①, paper strip not removed, at the top (Fig. 4a) or at the bottom (Fig. 5a).
Fig. 4a is applicable if the deflection unit is tilted upwards and Fig. 5a if the unit is tilted downwards.
4. By horizontal tilting of the deflection unit, now both the horizontal blue and red lines in the upper and lower halves of the picture and the vertical blue and red lines on the left and right hand side of the picture are placed on top of the other.
If the position of the deflection unit is correct, then place the wedges ② and ③ with paper strips removed, as shown in Fig. 4b or 5b. Firmly press the adhesive sides of these wedges against the glass of the picture tube.
5. Now place wedge ④ as shown in Fig. 4c or 5c and press on the adhesive side firmly.
6. Remove wedge ①, so that the situation according to Fig. 4d or 5d occurs.
7. Switch-on the green gun.



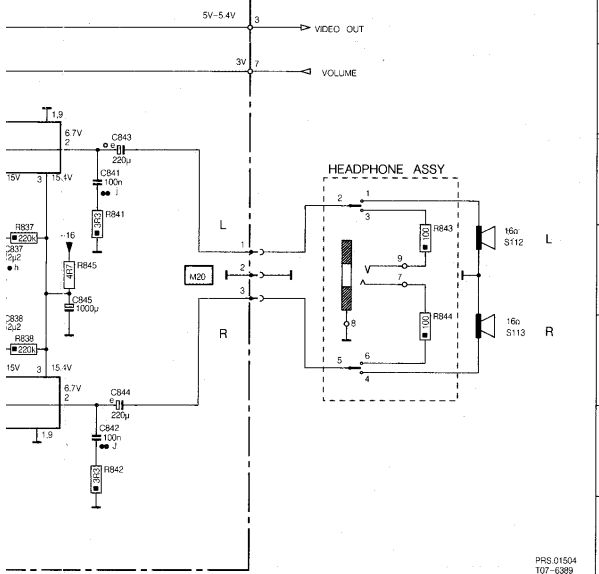
CS 4 648

11 12 13

1109
 REC AMPLIFIER
 PLIF STEREOFON



39 847 B12



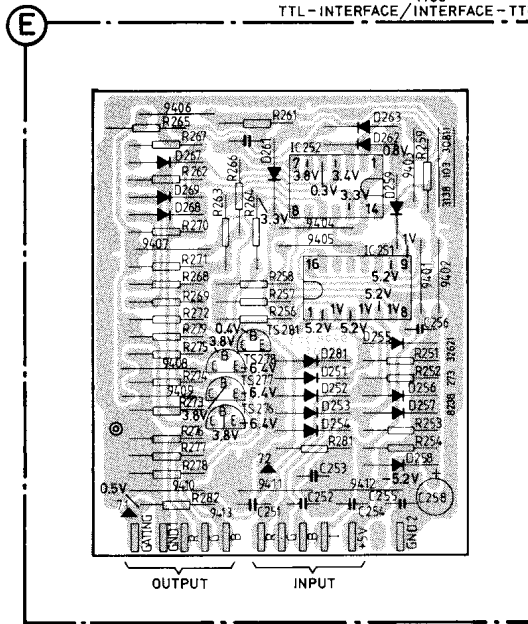
- C801 D 2 R834 K10
- C802 E 2 R837 I11
- C812 B 2 R838 J11
- C814 B 4 R841 H12
- C817 G 3 R842 K12
- C818 J 3 R843 I15
- C819 H 3 R844 J15
- C824 J 7 R845 I11
- C825 H 7 S112 I16
- C827 H 9 S113 J16
- C828 J 9 S12 A 6
- C831 I 9 T807 D 3
- C832 L 9 T808 E 3
- C833 H10
- C834 K10
- C835 I10
- C836 L10
- C837 I11
- C838 J11
- C841 H12
- C842 K12
- C843 H12
- C844 J12
- C845 I11
- IC801 C 5
- IC802 G 9
- IC804 J 9
- R801 D 2
- R803 D 3
- R804 E 3
- R805 D 3
- R806 F 3
- R807 D 4
- R808 F 4
- R811 D 6
- R813 B 2
- R814 B 3
- R815 B 4
- R817 G 3
- R818 K 3
- R819 H 3
- R821 F 4
- R822 J 4
- R823 H 4
- R824 J 6
- R825 G 6
- R826 I 6
- R827 H 7
- R828 J 7
- R829 D 7
- R831 I 9
- R832 K 9
- R833 I10

Source selector/stereo amplifier 4822 212 22609

C801	10 μF - 50 V	4822 124 40435
C802	10 μF - 50 V	4822 124 40435
C814	47 μF - 16 V	4822 124 22056
C845	1000 μF - 25 V	4822 124 22016
R813	8,2 Ω - safety	4822 111 30506
R826	47 kΩ - potm	4822 100 10079
R845	4,7 Ω - 1 W	4822 116 53662
HEF4053BP		5322 209 10576
TDA1013A		4822 209 83115
BC558B		4822 130 44197

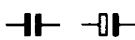
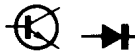
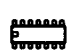
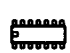
11 12 13 14 15 16

PR3 01504
 107-6389
 CV8833



TTL-RGBI-interface

4822 212 22593

		
C255	100pF - 50V	4822 122 32833
		
IN4148		4822 130 30621
BC548B		4822 130 40937
BC548C		4822 130 44196
74LS368AN		4822 209 81433
74LS05		5322 209 84994

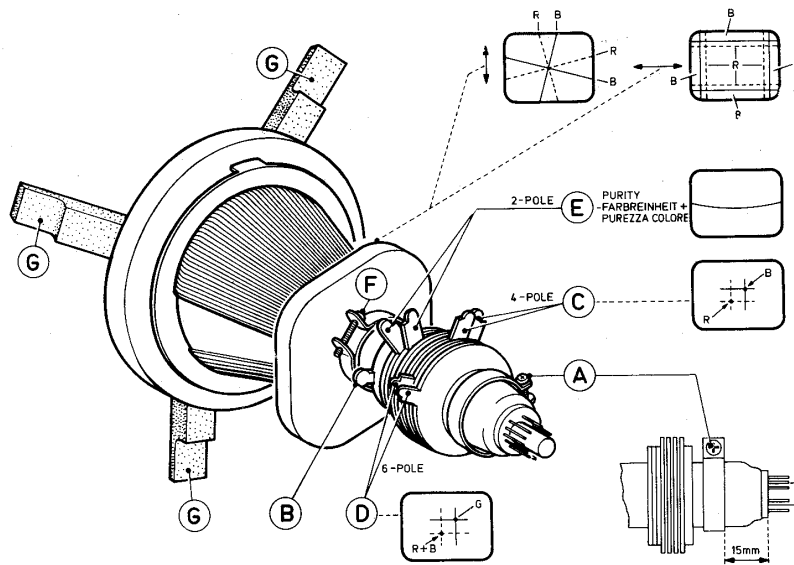
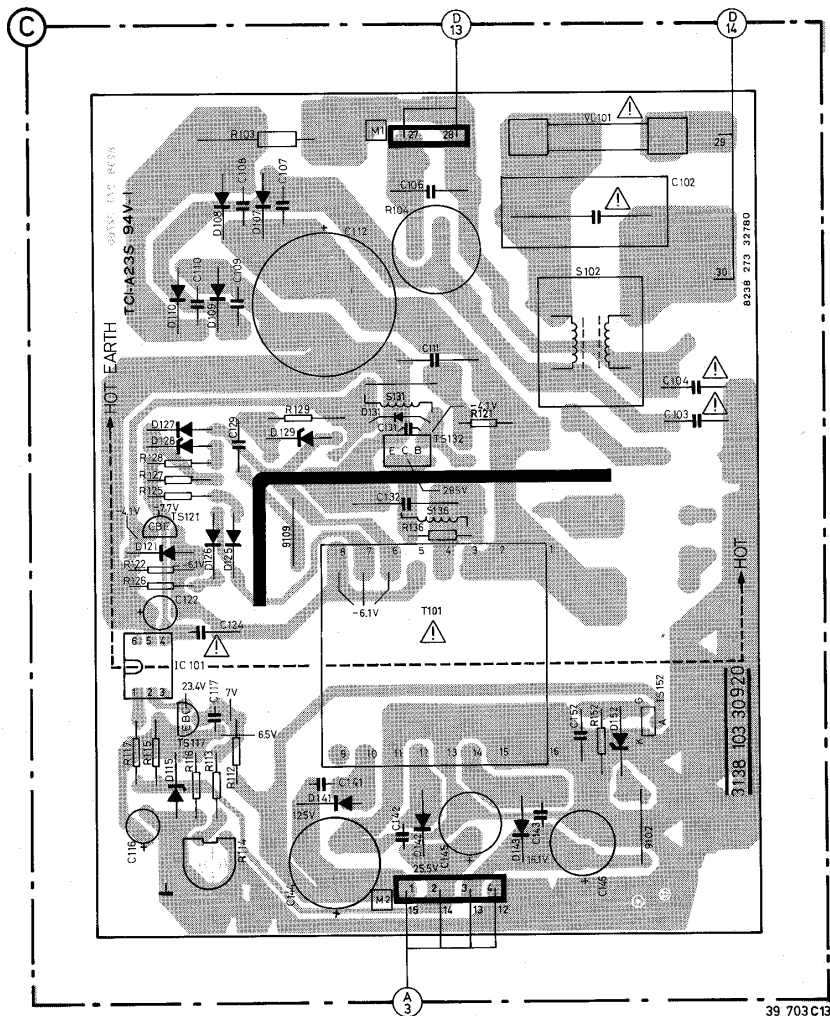
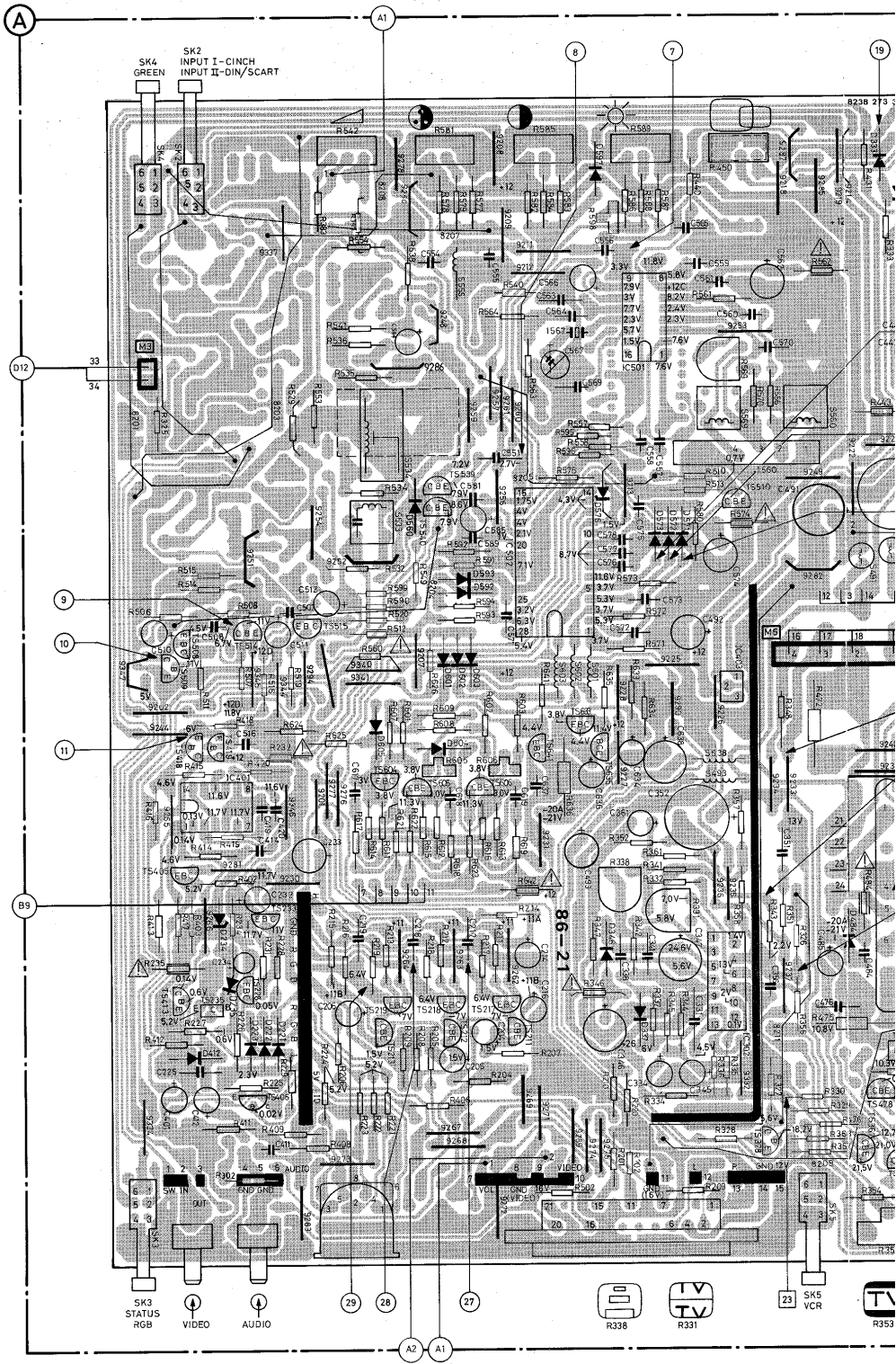
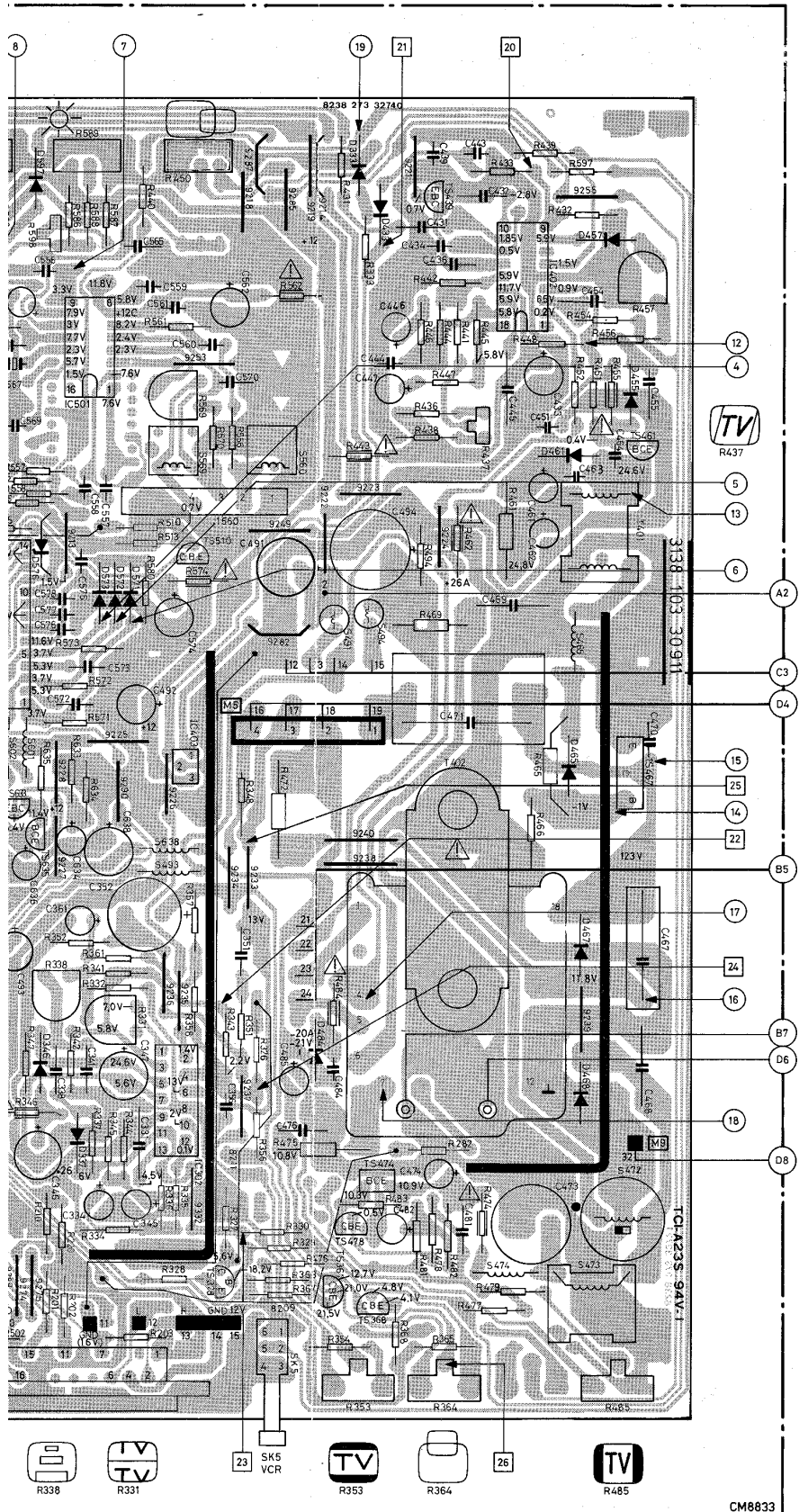
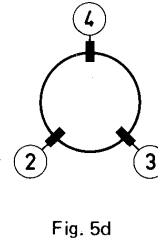
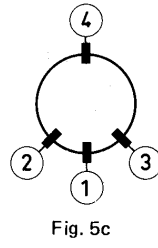
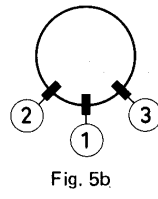
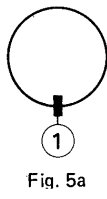
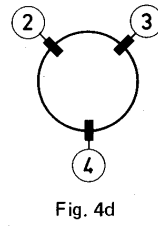
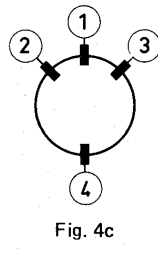
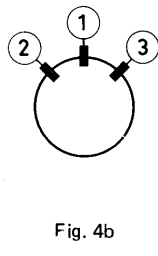
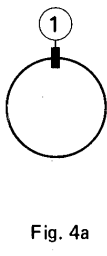


Fig. 3

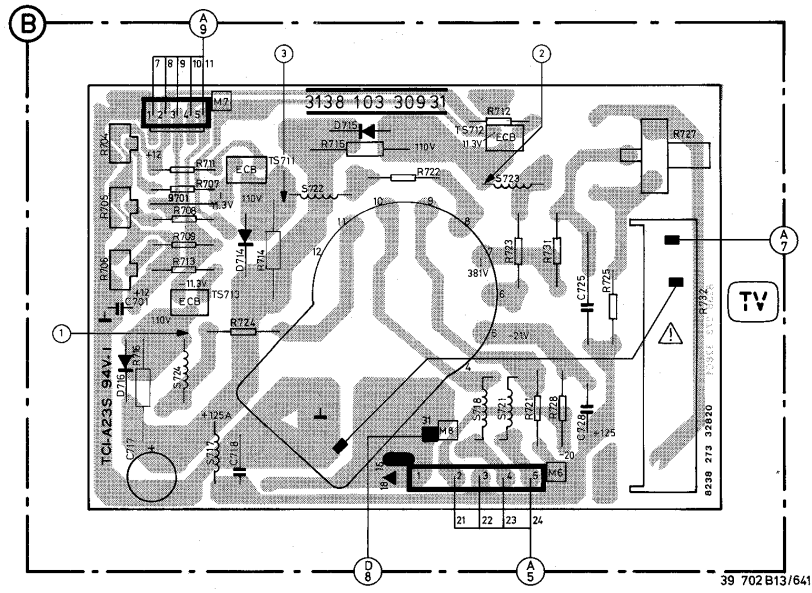


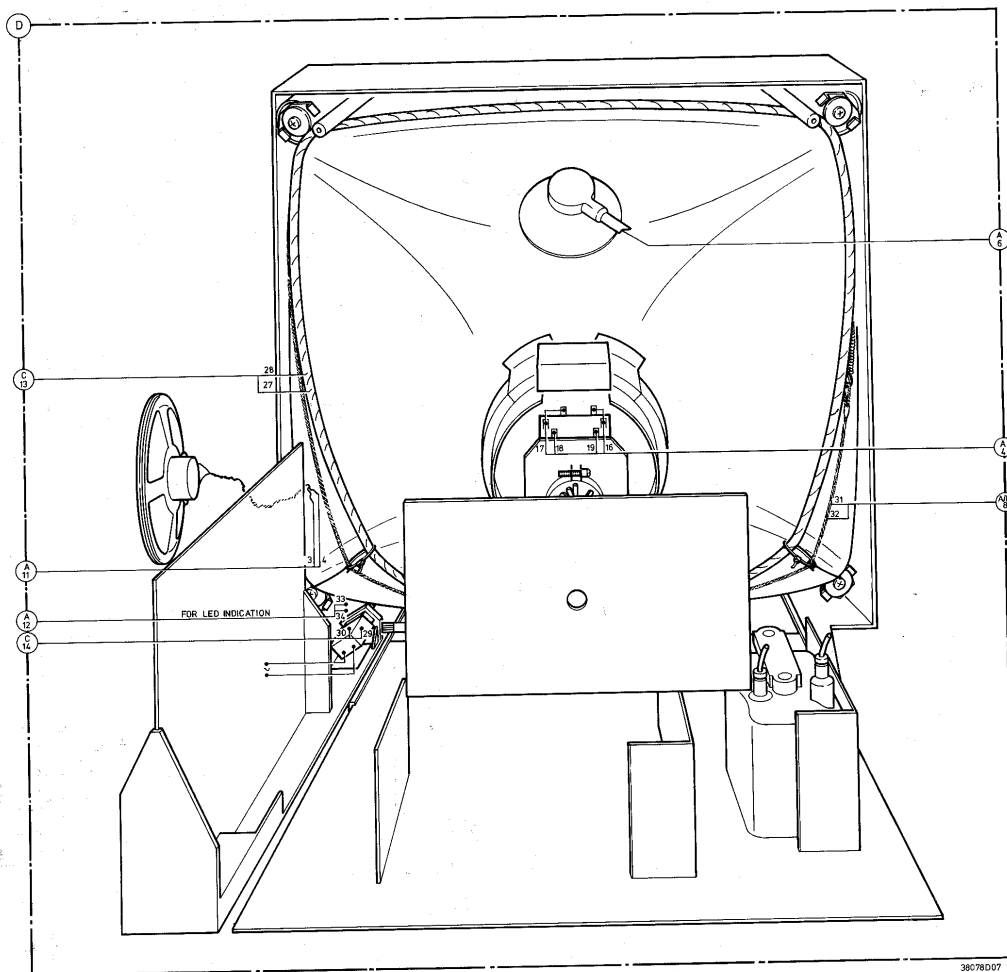






28772 E12.





38078D07

GB

Safety regulations require that the set be restored to its original condition and that parts which are identical with those specified be used.

NL

Veiligheidsbepalingen vereisen, dat het apparaat in zijn oorspronkelijke toestand wordt teruggebracht en dat onderdelen, identiek aan de gespecificeerde worden toegepast.

F

Les normes de sécurité exigent que l'appareil soit remis à l'état d'origine et que soient utilisées les pièces de rechange identiques à celles spécifiées.

D

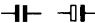
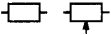


Bei jeder Reparatur sind die geltenden Sicherheitsvorschriften zu beachten. Der Originalzustand des Geräts darf nicht verändert werden, für Reparaturen sind Original-Ersatzteile zu verwenden.

I

Le norme di sicurezza esigono che l'apparecchio venga rimesso nelle condizioni originali e che siano utilizzati pezzi di ricambio identici a quelli specificati.

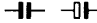

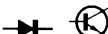
Power supply

4822 212 22597

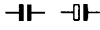
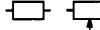
		
C102	1 μ F - 250 V	5322 121 44212
C103	2,2 nF-400 V	4822 122 32576
C104	2,2 nF-400 V	4822 122 32576
C105	1,5 nF-400 V	4822 122 32124
C107	2,2 nF- 1 kV	4822 122 40348
C108	2,2 nF- 1 kV	4822 122 40348
C109	2,2 nF- 1 kV	4822 122 40348
C110	2,2 nF- 1 kV	4822 122 40348
C111	100 nF-400 V	4822 121 41862
C112	100 μ F-400 V	4822 124 21722
C124	15 nF-400 V	4822 121 42021
C132	2,2 nF- 1 kV	4822 121 50966
C141	220 pF-500 V	4822 122 32575
C142	220 pF-500 V	4822 122 32575
C143	220 pF-500 V	4822 122 32575
C144	47 μ F-200 V	4822 124 41281
		
R103	4,7 Ω - 7 W	4822 113 80358
R104	Dual PTC	4822 116 40079
R114	1 k Ω - potm	4822 100 10037
R121	1 M Ω - VR37	4822 110 42192
		
T101	Power transformer	4822 142 60381
S102		4822 157 52228
S131		4822 157 52233
S136		4822 242 71344
1131	500-1000 μ H	4822 156 21359
		
IN5061		4822 130 31933
BZX79-C6V2		4822 130 34167
IN4148		4822 130 30621
BZX79-C9V1		4822 130 30862
BZX79-C2V4		4822 130 31253
RGP15K		4822 130 32833
RGP10D		4822 130 31607
RGP15D		5322 130 31971
BZX79-C18		4822 130 31024
CNX62		4822 130 90121
BC547C		4822 130 44503
BC337-40		4822 130 41344
BUT11A		5322 130 42087
BT151-500		5322 130 24081
Various		
Bracket		4822 404 30816
Power switch		4822 276 11504
Spring for fuse (2x)		4822 492 60063
Fuse		4822 253 30025


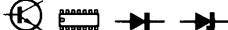
CRT assy

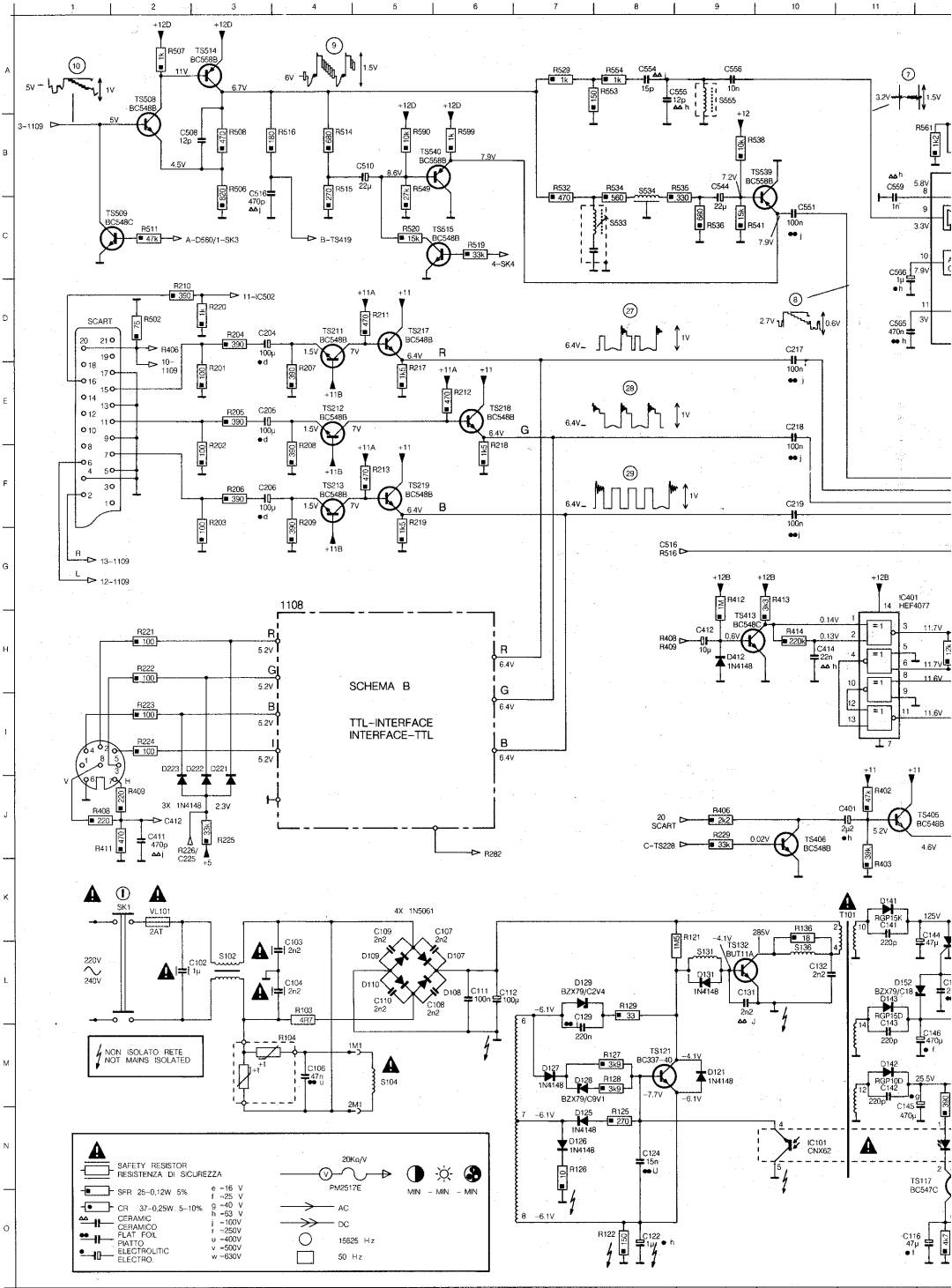
4822 212 22596

		
C717	4,7 μ F - 200 V	4822 124 22023
C718	10 nF - 500 V	4822 121 42191
R704	4,7 k Ω - potm	4822 100 10236
R705	4,7 k Ω - potm	4822 100 10236
R706	4,7 k Ω - potm	4822 100 10236
R714	3,9 k Ω - 3 W	4822 116 60241
R715	3,9 k Ω - 3 W	4822 116 60241
R716	3,9 k Ω - 3 W	4822 116 60241
R721	1 M Ω - 0,5 W	4822 116 52493
R722	470 Ω - 0,5 W	4822 111 90802
R723	470 Ω - 0,5 W	4822 111 90802
R724	470 Ω - 0,5 W	4822 111 90802
R725	330 k Ω - 0,5 W	4822 111 90801
R727	5 M Ω - potm	4822 100 10869
R728	1,5 k Ω - 0,5 W	4822 116 52399
R731	1,5 k Ω - 0,5 W	4822 116 52399
R732	59 M Ω - potm	4822 101 20821
		
S717	8,2 μ H	4822 157 52261
S718	10 μ H	4822 157 52233
S721	10 μ H	4822 157 52233
S722	4,7 μ H	4822 157 52232
S723	4,7 μ H	4822 157 52232
S724	4,7 μ H	4822 157 52232
		
BAV21		4822 130 30842
BF869		4822 130 41773
Various		
CRT-socket		4822 255 70217
5 pole micro plug		4822 267 40594
5 pole plug		4822 265 30376
Focus cap		4822 462 40794
Led assy		
2 pole micro connector		4822 267 30636
CQW11B (green)		4822 130 42242
Headphone assy		
Headphone jack		4822 267 30758
3 pole connector		4822 267 40679

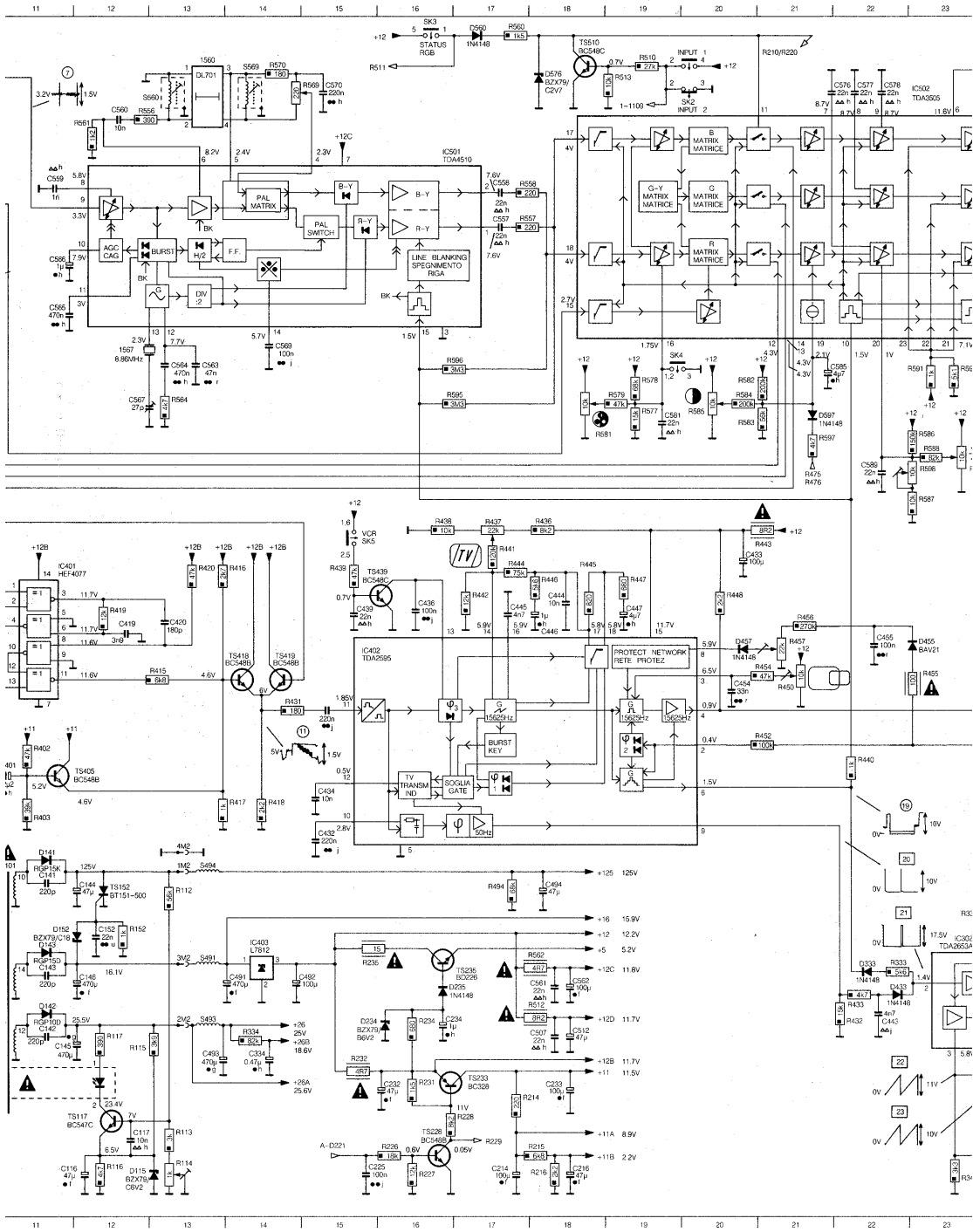
Chassis

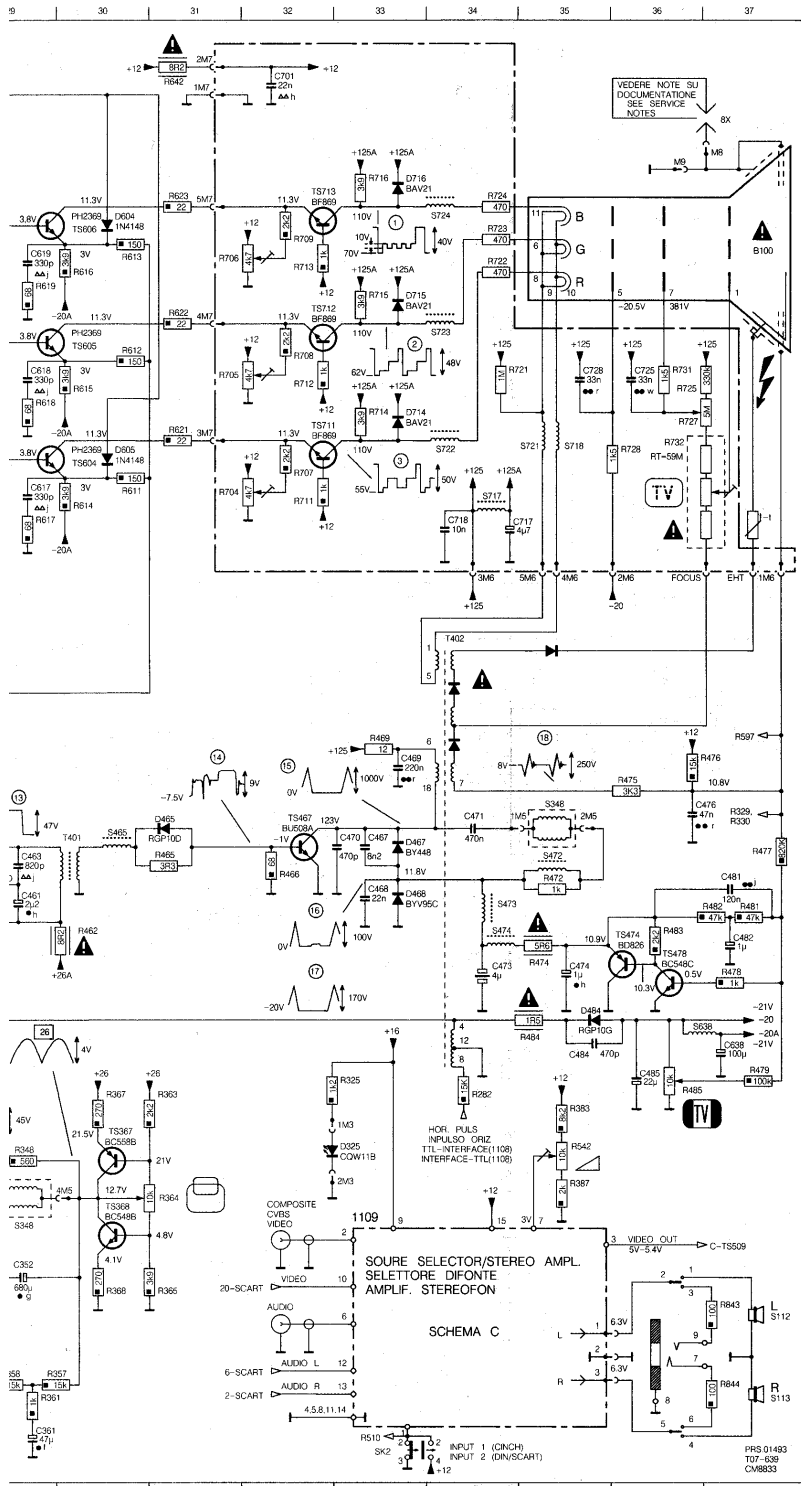
		
C345	10 µF- 50 V	4822 124 40435
C347	100 µF- 35 V	5322 124 21362
C412	10 µF- 25 V	4822 124 22058
C419	3,9 nF- 50 V	4822 122 32012
C420	180 pF- 50 V	4822 122 40385
C433	100 µF- 35 V	5322 124 21362
C434	10 nF- 50 V	4822 122 30043
C444	10 nF- 50 V	4822 122 30043
C445	4,7 nF- 63 V	4822 121 50539
C446	1 µF- 50 V	4822 124 22051
C467	8,2 nF-1,5 kV	4822 121 40249
C468	22 nF-400 V	4822 122 20237
C470	470 pF- 2 kV	4822 122 40427
C471	470 nF-250 V	4822 121 42464
C473	4,7 µF- 50 V	4822 124 90034
C482	1 µF- 50 V	4822 124 22051
C484	470 pF-400 V	4822 122 32577
C485	22 µF- 35 V	4822 124 40434
C492	100 µF- 35 V	5322 124 21362
C494	47 µF-200 V	4822 124 41281
C508	12 pF-50 V	4822 122 40383
C510	22 µF-35 V	4822 124 40434
C512	47 µF-16 V	4822 124 22056
C544	22 µF-35 V	4822 124 40434
C560	10 nF-50 V	4822 122 30043
C567	27 pF-trimmer	4822 125 50088
C634	22 µF- 35 V	4822 124 40434
C636	22 µF- 35 V	4822 124 40434
C638	100 µF- 35 V	4822 124 22057
		
R232	4,7 Ω - safety	4822 111 30499
R235	15 Ω - safety	4822 111 30513
R331	47 kΩ - potm-vert. hold	4822 100 10079
R338	100 kΩ - potm-vert. lin	4822 100 10052
R346	4,7 Ω - NFR30	4822 116 52448
R353	220 Ω - potm-vert size	4822 100 10915
R364	10 kΩ - potm-vert shift	4822 101 10547
R437	22 kΩ - potm-hor. hold	5322 101 44041
R443	8,2 Ω - safety	4822 111 30506
R450	10 kΩ - potm-hor. shift	4822 100 20546
R455	100 Ω - safety	4822 111 30535
R457	22 kΩ - potm	4822 100 10051
R461	1 kΩ - 2 W	4822 116 60239
R462	8,2 Ω - safety	4822 111 30506
R465	3,3 Ω - 2 W	4822 116 60231
R469	12 Ω - 5 W	4822 113 80378
R472	1 kΩ - 2 W	4822 116 60239
R474	5,6 Ω - safety	4822 111 30502
R475	3,3 kΩ - 1 W	4822 116 53663
R484	1,5 Ω - safety	4822 111 30487
R485	10 kΩ - potm-hor. size	4822 101 10547
R512	8,2 Ω - safety	4822 111 30506
R542	10 kΩ - potm-volume	4822 100 20546
R562	4,7 Ω - safety	4822 111 30499
R569	220 Ω - potm	4822 100 10019
R574	4,7 Ω - safety	4822 111 30499
R581	10 kΩ - potm-colour	4822 100 20548
R585	10 kΩ - potm-contrast	4822 100 20548
R589	10 kΩ - potm-brightness	4822 100 20548
R598	10 kΩ - potm-sub. brightness	4822 100 10024
R605	1 kΩ - potm	4822 100 10021
R606	1 kΩ - potm	4822 100 10021
R633	2,7 kΩ - 0,6 W	4822 116 52918
R634	1,5 kΩ - 0,6 W	5322 116 53478
R636	680 Ω - 2 W	4822 116 60236
R642	8,2 Ω - safety	4822 111 30506

		
T401	Hor. driver transformer	4822 146 21019
T402	L.O.T.	4822 140 10275
S465		4822 152 20587
S472		4822 157 52236
S473		4822 157 52235
S474		4822 157 52237
S491		4822 157 52234
S493		4822 157 52231
S494		4822 157 52234
S533	4,43 MHz	4822 156 70064
S534	Delay line 330nS	4822 157 51056
S555		4822 156 21351
S560		4822 156 70063
S569		4822 156 70063
S601		4822 156 21349
S602		4822 156 21349
S603		4822 156 21349
S638		4822 157 52231
		
IN4148		4822 130 30621
IN4003		4822 130 31878
BZX79-B6V2		4822 130 34167
BAV21		4822 130 30842
RGP10D		4822 130 31607
BY448		5322 130 31559
BYV95C		4822 130 41487
RGP10G		4822 130 31201
BZX79-C2V4		4822 130 31253
BC548B		4822 130 40937
BC328		4822 130 44104
BD226		5322 130 44244
BC558B		4822 130 44197
BC548C		4822 130 44196
BC639		4822 130 41053
BU508A		4822 130 42164
BD826		4822 130 41774
PH2369		4822 130 41594
BC638		4822 130 41087
TDA2653A		5322 209 82945
HEF4077BP		4822 209 10223
TDA2595/V4		4822 209 83227
L7812CV		5322 209 86176
TDA3505/V4		4822 209 83272
TDA4510V2		4822 209 70019
Various		
Focus cap		4822 462 40794
High voltage cable		4822 320 20134
Focus cable		4822 320 20127
Degaussing coil		4822 157 52254
Picture tube + deflex.		4822 131 20149
Switch SK2 - SK3 - SK4 - SK5		4822 276 11505
DIN socket 8-pole		4822 267 50697
Scart (euro) socket 21-pole		4822 267 60159
4p connector male		4822 265 30375
5p micro connector female		4822 321 21177
5p connector female		4822 321 21278
4p connector		4822 321 21179
2p connector to speaker		4822 267 20277
2p connector to led		4822 265 20235
RCA jack for audio/video		4822 267 20241
Speaker (2x) 3 inch		4822 240 30296
1560 DL701-64µs		4822 320 40096
1567 8,86 MHz		4822 242 70304



	SAFETY RESISTOR		20K Ω /V		AC
	RESISTENZA DI SICUREZZA		f = 16 V		MIN - MIN - MIN
	SPR 25-0,12W 5%		f = 25 V		
	CR 37-0,25W 5-10%		f = 40 V		
	CERAMIC		f = 50 V		
	CERAMIC		f = 100V		
	FLAT FOL		f = 250V		
	PLATO		u = 400V		
	ELECTROLYTIC		u = 500V		
	ELECTRO		w = 800V		





1108 G 4 D115 D12 R387 M55 R633 F26
 1109 M3 D121 M 9 R402 J11 R634 G27
 1560 A13 D126 N 7 R403 K11 R635 F27
 1567 E12 D128 M 8 R406 J 9 R636 H27
 C102 L 3 D127 M 7 R408 J 1 R641 F28
 C103 L 4 D128 M 7 R409 J 2 R642 A31
 C104 L 5 D129 L 7 R411 J R704 E31
 C106 M 4 D131 L 9 R412 G 9 R705 D31
 C107 K 6 D143 K11 R413 G10 R706 C31
 C108 L 6 D142 M11 R414 H10 R707 E32
 C109 K 5 D143 L11 R415 I 13 R708 D32
 C110 L2 D152 L11 R416 G 8 R709 C32
 C111 L 6 D221 L 3 R417 J14 R711 E32
 C112 L 6 D222 L 3 R418 J14 R712 D32
 C116 O11 D223 L 2 R419 H12 R713 C32
 B C117 O12 D234 M55 R420 G13 R714 D33
 C123 O 8 D235 M7 R431 I 14 R715 C33
 C124 N 8 D325 L33 R432 M22 R716 B33
 C129 L 7 D333 L22 R433 M22 R721 D35
 C131 L 9 D337 N25 R436 G18 R722 C34
 C132 L10 D346 K28 R437 G17 R723 B34
 C141 K11 D112 I 9 R438 O18 R724 R34
 C142 M11 D433 M22 R439 G15 R725 D36
 C143 L11 D455 H23 R440 J22 R727 E36
 C144 K12 D455 H23 R441 G17 R728 E36
 C145 M11 D461 I 29 R442 H17 R731 D36
 C146 M12 D465 I 31 R443 O21 R732 E36
 C152 L12 D467 I 33 R444 G17 R843 N37
 C204 D 3 D488 I 33 R445 G18 R844 O37
 C205 S 3 D494 R63 R446 H19 S104 M 5
 C206 F 3 D560 A17 R447 H19 S104 M 5
 C214 O17 D571 C28 R448 H21 S111 F 7
 C216 O18 D572 C28 R450 I 21 S113 O37
 C217 D10 D573 C28 R451 I 21 S113 L 9
 C418 H10 D574 A18 R452 I 21 S130 D 9
 C1910 F10 D592 E28 R454 I 21 S348 M29
 C225 O18 D593 E28 R455 I 23 S348 F 5
 C232 N16 D597 E21 R456 H21 S465 I 30
 C233 N18 D601 E28 R457 H21 S472 I 35
 C234 M17 D602 C28 R461 I 23 S473 F 5
 C331 L24 D603 B28 R462 J30 S474 J34
 C334 N14 D604 B30 R465 I 31 S48 R13
 C338 N14 D604 B30 R465 I 31 S48 R13
 C341 O25 D714 D33 R469 H33 S494 K13
 C345 L26 D715 C33 R470 H33 S5219 F 5
 C436 K28 D716 R33 R474 J35 S534 B 8
 C347 L28 I C101 N10 R476 H36 S555 J 9
 C351 M28 I C302 L23 R476 H36 S555 J 9
 C352 M28 I C401 G11 R477 I 37 S569 A14
 C356 O28 I C402 H15 R478 J37 S601 E28
 C361 O29 I C403 L14 R479 K37 S602 D28
 C401 J11 I C501 B17 R481 J37 S603 C28
 C411 I 2 I C502 A23 R482 J37 S603 K36
 C412 H 9 R103 L 4 R483 J36 S718 E35
 C414 H10 R104 M 8 R484 K35 S721 E35
 F D419 H12 R112 L13 R485 L36 S722 E34
 C420 H13 R113 O13 R494 K17 S723 D34
 C432 K15 R114 O13 R502 D 2 S724 R34
 C433 G20 R115 N12 R506 B 3 SK1 K 2
 C434 J15 R116 O12 R507 A 2 SK2 A20
 C436 R19 R117 M55 R508 B 3 SK3 B16
 C439 H15 R121 K 9 R510 A19 SK4 E19
 C441 M21 R122 O 8 R511 C 7 SK5 G15
 G C444 H18 R125 N 8 R512 M18 T101 K11
 C445 H17 R126 N 7 R513 A18 T401 I 30
 C446 H18 R127 M 8 R514 B 4 T402 Q34
 C447 H19 R128 M 8 R515 B 4 T5117 L12
 C451 I 27 R129 L 8 R516 B 4 T5121 M 8
 C454 I 20 R136 K10 R519 C 6 T5132 L 9
 C455 H22 R152 L12 R520 C 5 T5152 K12
 C461 I 28 R201 E 3 R529 A 7 T5211 D 4
 C462 J29 R202 F 3 R532 B 7 T5212 E 4
 C463 I 28 R203 F 3 R534 B 7 T5213 F 4
 H C464 J 28 R204 D 3 R535 B 7 T5217 D 5
 C467 I 33 R205 E 3 R536 C 9 T5218 E 6
 C468 I 33 R206 E 3 R538 B 7 T52219 F 5
 C469 H33 R207 E 4 R541 C10 T5228 O16
 C470 I 33 R208 E 4 R542 L35 T5233 N17
 C471 J 34 R209 E 4 R543 A 8 T52328 M7
 C473 J34 R210 E 2 R553 A 8 T52328 N27
 C474 J35 R211 E 2 R554 A 8 T52328 M7
 C476 I 37 R212 E 6 R556 B12 T52388 M30
 C481 I 37 R213 E 5 R557 C17 T5405 J12
 C482 I 37 R214 N18 R558 B1 T5406 J10
 C484 K35 R215 O18 R560 A17 T5413 H 9
 C485 K35 R216 O18 R561 B1 T5418 H14
 C491 M14 R217 E 5 R562 L18 T5419 I14
 C492 M15 R218 E 6 R564 E1 T5439 G16
 C493 M16 R219 E 6 R569 A13 T5441 I 28
 C494 K18 R220 D 3 R570 A14 T5467 I 32
 C503 M18 R221 H 2 R571 O25 T5474 J36
 C508 H 2 R222 H 2 R572 C25 T5478 J36
 J C509 B 5 R223 I 2 R573 R25 T5508 A 2
 C512 M18 R224 E 6 R574 A24 T5509 C 2
 C516 B 3 R225 J 3 R577 E19 T5510 A18
 C544 B 8 R226 O18 R578 E19 T5514 A 3
 C551 O10 R227 O18 R579 E19 T5515 S 8
 C554 A 8 R228 N17 R580 D28 T5539 B10
 C555 A 9 R229 I 18 R581 F18 T5540 B 5
 C556 A 9 R231 N16 R582 E20 T5604 E30
 C557 C17 R232 M15 R583 F20 T5605 D30
 C558 B17 R234 M16 R584 E20 T5633 F37
 K C559 B11 R235 L15 R585 E20 T5633 D20
 C560 A12 R282 L34 R586 F23 T5635 F27
 C561 M18 R325 K33 R587 F23 T5641 F28
 C562 M18 R326 O27 R588 F23 T5711 E32
 C563 E13 R327 O27 R589 F23 T5712 C32
 C564 E13 R328 N27 R590 B 5 T5713 R32
 C565 D11 R328 O28 R591 E23 V1101 K 2
 C566 C14 R330 O28 R592 E23
 C567 E12 R331 L24 R593 E24
 C569 E14 R332 L23 R594 E25
 L C570 A15 R333 L22 R595 E17
 C571 B25 R334 M4 R596 E17
 C572 C25 R335 N24 R597 F17
 C573 O25 R336 O28 R598 F23
 C574 A24 R337 N25 R599 B 8
 C575 A24 R338 O24 R601 E28
 C576 A22 R341 C 4 R602 D28
 C577 A22 R342 O23 R603 C28
 M C578 A22 R343 N24 R605 D29
 C581 E19 R344 K27 R606 C28
 C585 E22 R345 L26 R607 F29
 C589 F22 R346 K28 R608 D29
 C617 E28 R347 L28 R609 C29
 C618 D29 R348 L28 R611 E30
 C619 C28 R351 M28 R612 D30
 C620 E28 R352 L31 R613 D30
 C636 H28 R353 N28 R614 D30
 C637 H28 R354 N28 R615 D30
 C638 K37 R356 N28 R616 C30
 N C701 A32 R357 O20 R617 F29
 C717 F36 R358 O23 R618 D29
 C718 F34 R361 O20 R619 C29
 C725 O36 R362 L31 R621 E31
 C728 O35 R364 M31 R622 C31
 D107 L 6 R365 N31 R623 B31
 D108 L 6 R367 L30 R624 R27
 D109 L 5 R368 N30 R625 A27
 D110 L 5 R369 L35 R626 A27
 O

CS 4 650